

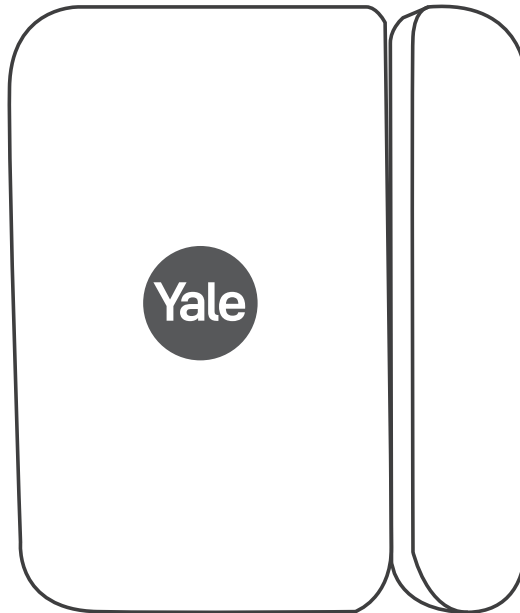
Outdoor Contact

AC-ODC

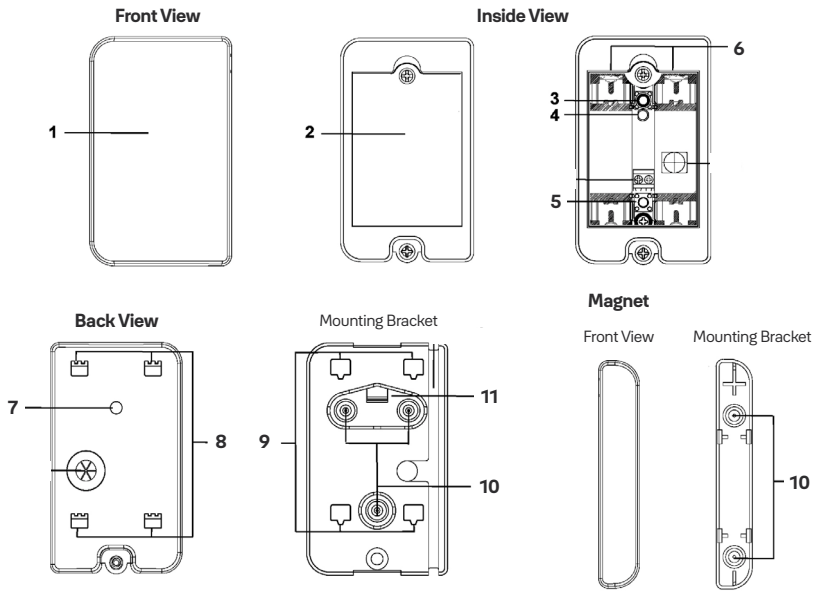


AC-ODC is an Outdoor Contact used to detect the opening and closure of outdoor gates, entries, exits and more. The Outdoor Contact can also be placed on metal materials, while its powerful magnet can tolerate a wide gap to reduce false alarm.

The device also has the capabilities of communicating signal problems along with low battery situations. The front and back tamper switches provide tamper protection against unauthorised device opening and removal.



Outdoor Contact



1. **Protective Cover**

2. **Battery Cover**

3. **Front Tamper Switch.** When the battery cover is removed, the front tamper switch will be activated.

4. **LED indicator**

5. **Learn / Test button**

Use a sharp tool to press the button to transmit learning code or enter test mode for 3 min.

6. **Battery Compartment**

The Outdoor Contact uses two AA L91 Lithium batteries as its power source.

7. **Back Tamper Switch**

Whenever the Outdoor Contact is removed from mounted surface, the back tamper switch will be activated.

8. **Hooks**

9. **Latch Holes**

10. **Knockouts**

11. **Breakaway Area**

LED Indicator

- In Normal Operation Mode, the LED will not light when the Outdoor Contact is activated.
- When the Outdoor Contact battery voltage is low, every time the Outdoor Contact is activated (device opened/ closed), the LED will flash.
- When any of the tamper switches is triggered, the LED will flash. When a tamper condition persists, the LED will flash whenever the Outdoor Contact is activated.
- When the Outdoor Contact is in Test mode, the LED will flash every time it is activated.
- When the battery is exhausted, the Outdoor Contact will stop all function, the LED will flash every 4 seconds.

Battery

- The Outdoor Contact uses two AA L91 Lithium batteries as its power source. Please note: ALWAYS replace batteries with the correct size and voltage.
- The Outdoor Contact can detect low battery condition. When the battery voltage is low, a low battery signal will be sent to the Sync hub to notify the condition. The LED will light up when the Outdoor Contact is activated under low battery status. When the battery is exhausted, the Outdoor Contact will stop all function, the LED will flash every 4 seconds.
- When changing batteries, after removing the old batteries, press the Tamper Switch twice to fully discharge before inserting new batteries.

Tamper Protection

- The Outdoor Contact is protected against any attempt to open the battery cover or to detach the device from its mounting surface.
- If the Outdoor Contact detects a tamper condition of battery cover opening or device removal, a tamper signal will be sent to the Sync hub to remind the user of the condition.

Supervisory Signal

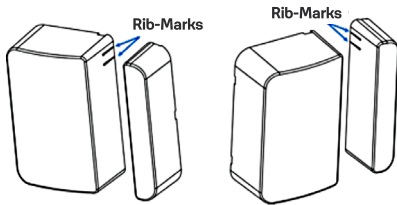
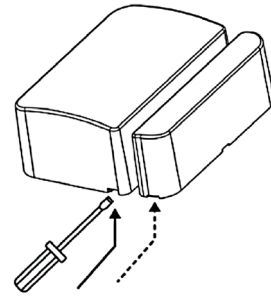
- The Outdoor Contact will automatically transmit Supervisory Signals periodically to the Sync hub at random intervals of 30-50 minutes.
- If the Sync hub has not received the signal from the Outdoor Contact for a preset period time, the Sync hub will indicate the particular Outdoor Contact is experiencing an out-of-signal problem.

Test Mode

- Under Normal Mode, press the Test Button to transmit a test signal and learning code to the Sync hub. The Outdoor Contact will also enter the Test Mode for 3 minutes.
- Under Test Mode, the LED will light up whenever the Outdoor Contact is activated.
- Each additional Test Button press will reset Test Mode time to 3 minutes.

Getting Started

- Use a flat-head screwdriver into the slot and push upward to open the protective cover. (Figure 1)
- Remove the battery cover and insert batteries to power on the device.
- Put the Sync hub into Learning Mode (please refer to panel operation manual).
- Use a sharp tool to press the Outdoor Contact learn button.
- Refer to your Sync hub operation manual to complete the learn-in process.
- After the Outdoor Contact is learned-in, place the Sync hub into (Walk Test) mode, hold the Outdoor Contact in the desired location, and press the Test button to transmit test signal to Sync hub. If the Sync hub is within Outdoor Contact signal range, the panel will display Outdoor Contact information accordingly.



Replace the battery cover and proceed with mounting and installation once you are satisfied that the Outdoor Contact location functions properly.

Mounting Methods and Installation

It is recommended that the Outdoor Contact be placed on the fixed frame of door/window, and the magnet on the movable part of door/window.

The rib marks on the magnet and Outdoor Contact must align. (Figure 2)

The magnet should not be more than 3cm from the marked side of the Outdoor Contact when the door is closed.

The Outdoor Contact has a back tamper switch on its back cover. Ensure the device is positioned within the bracket so that the tamper switch spring is pressed against the break-away area that is loosely connected to the bracket. If the Outdoor Contact is forcibly removed from the wall, the break-away areas will break off from the bracket and remain attached to the mounting surface, activating the tamper switch.

To mount the Outdoor Contact

- 1) The provided mounting bracket has 3 knockouts, where the plastic is thinner and can be broken for mounting purpose. (Figure 3)
- 2) Use the mounting bracket as a template to drill holes on the wall for plugs. (Figure 4)
- 3) Push in the plugs and fix the mounting bracket on the wall with the screws.
- 4) Mount Outdoor Contact with the hooks on the back cover of the Outdoor Contact latched on the latch holes of the mounting bracket, and then push downwards to lock the hook. (Figure 5)

NOTE

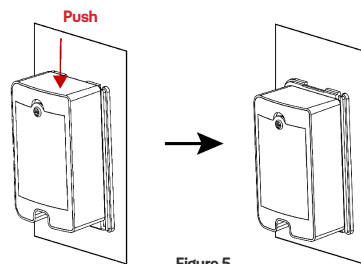
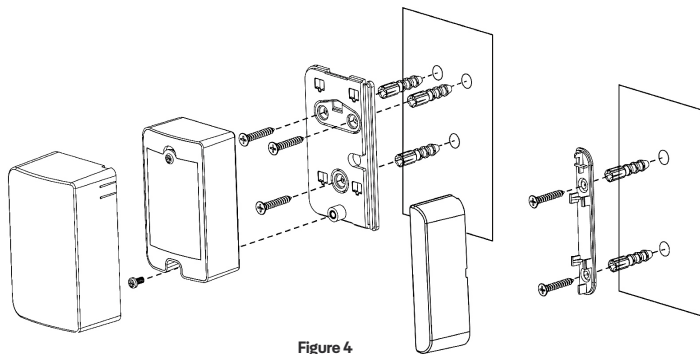
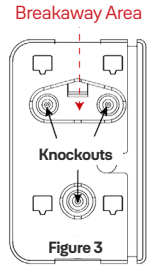
Make sure the back tamper switch of the Outdoor Contact is pressed against the break-away area on the mounting bracket.

- 5) Secure the bottom fixing screw.
- 6) Replace the protective cover.
- 7) Mount the magnet bracket with two supplied screws to the door, attach the magnet to the magnet bracket.

NOTE

The magnet and Outdoor Contact rib marks must align.

- 8) Installation is now complete.



Changing the batteries (removing the protective cover)

- 1) Push the protective cover downwards with your hand.
- 2) Press from two sides of the lower part of the cover to detach the lower part of the protective cover.
- 3) Press from two sides of the lower part of the cover to detach the upper part of the protective cover, this will remove the protective cover.
- 4) Unscrew the screw from the battery cover.
- 5) Press the Tamper Switch twice to fully discharge before inserting new batteries.
- 6) Screw the battery cover back in place and replace the protective cover.
- 7) Press down the upper part of the protective cover until you hear a click sound.
- 8) Press down the lower part of the protective cover until you hear a click sound.

www.yalehome.co.uk

Security & Risk Communications Limited,
Parkway Business Centre, Ballymount,
Dublin, Ireland, 24

ASSA ABLOY Opening Solutions
UK & Ireland
School Street, Willenhall
West Midlands, WV13 3PW UK

**Trusted
every day**

